

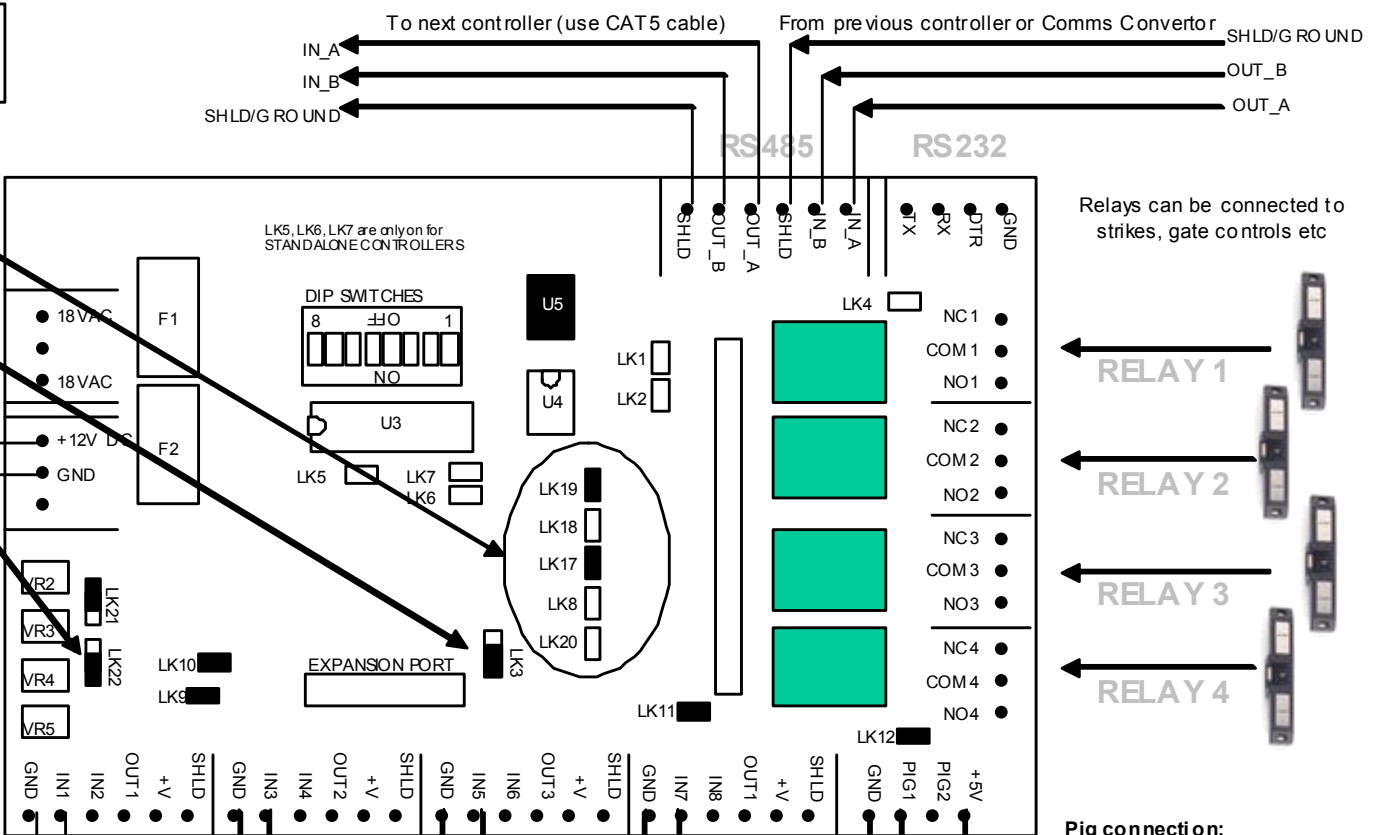
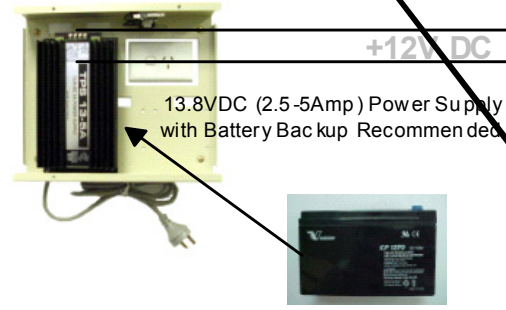
# PRE- Presco Keypad – Rev 2.3 board

**POTS setting:**  
 VR2,VR3,VR4,VR5 – 1.0k Resistance  
 (Measure between reader Data and reader +V)

**1 Door:** LK19,18,17,8,20-off  
**2 Doors:** LK19-on, LK18,17,8,20-off  
**3-4 Doors:** LK19,17-on, LK18,8,20-off

When using 4 or 16 way expansion boards put LK3 UP

LK22 Up: +V = 5 volts  
 LK22 Down: +V = 12 volts



Note: The recommended cable type is 4 core non shielded cable.  
 Maximum distance is 500 meters from the controller.



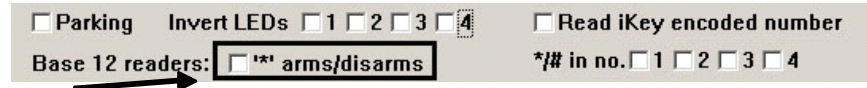
To enter your pin number enter the number and press E

**Pig connection:**  
 GND: Black  
 PIG1: White (data)  
 +5V: Red



Input expansion boards:  
 Pig2 (2 input expansion Point Identification Gadget)

Ensure the reader type is set to PRESCO.



By Pressing the \* button, then your pin number can be used to arm and disarm the area associated to the door.