

**USB Software Driver Installation:**

1. Connect the USB to RS485 comms converter to the PC. Windows will automatically detect the device.
2. Insert the CS Tech USB driver CD in the pc's CD-ROM
3. Windows update search: Select, 'No, not at this time' and press next.
4. Now select 'Install the software automatically' and press next.

(Note: Windows will find two devices, so you will need to 'install the software automatically' twice.)

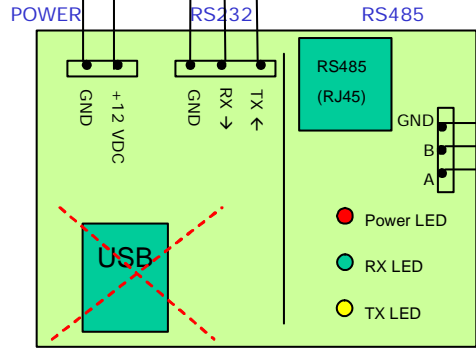
**Note: Power is NOT required when connecting to your PC using the USB port.**  
**You MUST install the USB software drivers for the device to work.**

The latest drivers can also be downloaded at <http://www.ftdichip.com/Drivers/VCP.htm> (FT232BM)

You can view the COM port the converter is configured to in the Windows 'device manager': See below.

Control Panel / System → Hardware / Device Manager → Ports (COM & LPT) → Port Settings / Advanced → COM Port Number

**PC Connection Method 2: Direct Serial Port connection (RS232)**



+12V DC Power is ONLY required to power the RS232 to RS485 comms convertor when not using the USB connection.

